

Specification Clauses

Specification Clauses for the complete Recticel Insulation product range



Recticel Insulation Products

Specification Clauses

About Recticel Insulation Products

Based at its new state-of-the-art manufacturing, warehousing and distribution facility in Stoke-on-Trent, Recticel Insulation Products is part of the international Recticel Group - one of the world's largest manufacturers of urethane products which employs over 11,000 people.

Driven by a culture of innovation, technical competence and flair, Recticel Insulation Products is dedicated to raising the standard of quality of insulation products in the UK.

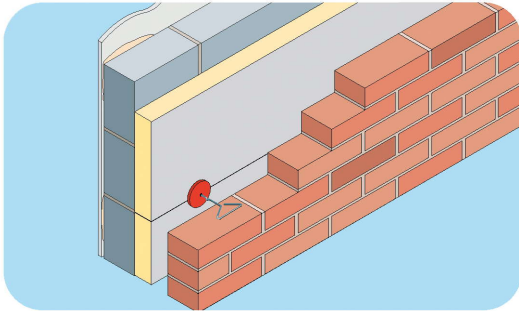
Quality is at the heart of Recticel Insulation Products. Our currently available products, manufactured at our state-of-the-art facility in Belgium, carry the Keymark which provides a guarantee of frequent verification of the CE Marking declarations (by a third party certification body). We believe that it is the best scheme to demonstrate its quality as it guarantees that the product properties are accurate and consistent. These properties are critical to how a product performs in use. Giving the customer that extra assurance that the Keymark provides is worth the extra effort.

Recticel Insulation delivers 'A Better Way' for quality insulation products and service.

Recticel Insulation Products
Enterprise Way
Meir Park
Stoke-on-Trent
ST3 7UN

Technical Desk Freephone: 0800 0854079

Eurowall Cavity - Thermal insulation boards for cavity walls

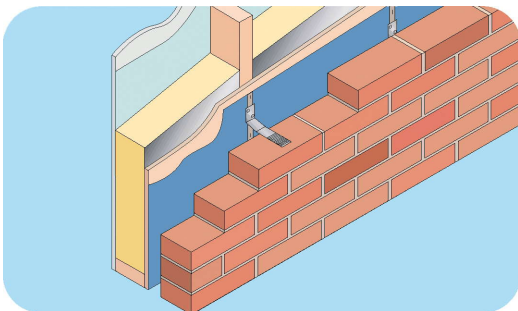


The partial fill cavity wall insulation shall be Recticel Eurowall Cavity ____mm thick manufactured to BS EN 13165 by Recticel Insulation, comprising a CFC/HCFC free rigid Polyisocyanurate (PIR) core faced on both sides with a bright, gas tight and multi-layered complex of kraft and metal foil. The Eurowall cavity wall insulation shall be installed in accordance with manufacturer's recommendations.

(Make reference to NBS clause F30 155, F30 12)

Insulation:	Polyisocyanurate (PIR) Rigid Foam	
Certification:	BBA 02/3908	
Manufacturer:	Recticel Insulation Products Enterprise Way Meir Park Stoke on Trent Staffordshire ST3 7UN United Kingdom	Recticel Insulation Products Tramstraat 6 B-8560 Wevelgen Belgium
Product ref:	Eurowall Cavity	
Dimensions:	Standard – 1200 x 450mm	
Thickness:	25, 30, 35, 40, 45, 50, 60mm (Other sizes available depending on quantity and lead time)	

Eurowall TF - Thermal insulation boards for timber frame walls

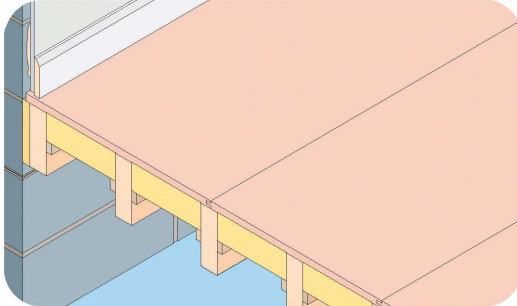


The wall insulation shall be Recticel Eurowall TF ____mm thick manufactured to BS EN 13165 by Recticel Insulation, comprising a CFC/HCFC free rigid Polyisocyanurate (PIR) core faced on both sides with a bright, gas tight and multi-layered complex of kraft and metal foil. The Eurowall TF wall insulation shall be installed in accordance with manufacturer's recommendations.

(Make reference to NBS clause F30 155, F30 12)

Insulation:	Polyisocyanurate (PIR) Rigid Foam	
Manufacturer:	Recticel Insulation Products Enterprise Way Meir Park Stoke on Trent Staffordshire ST3 7UN United Kingdom	Recticel Insulation Products Tramstraat 6 B-8560 Wevelgen Belgium
Product ref:	Eurowall TF	
Dimensions:	Standard – 2400 x 1200mm	
Thickness:	25, 30, 35, 40, 50, 60, 70, 75, 80, 90, 100, 110, 120, 150mm (Other sizes available depending on quantity and lead time)	

Eurofloor - Thermal insulation boards for ground and intermediate exposed floors



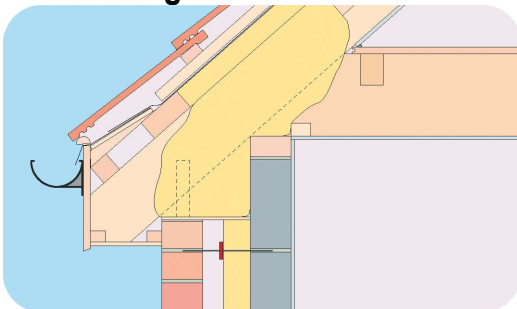
The floor insulation shall be Recticel Eurofloor ____mm thick manufactured to BS EN 13165 by Recticel Insulation, comprising a CFC/HCFC free rigid Polyurethane (PUR) core faced on both sides with a bright, gas tight and multi-layered complex of kraft and metal foil. The Eurofloor floor insulation shall be installed in accordance with manufacturer's recommendations.

(Make reference to NBS clause E20 200, E20 30)

Insulation: Polyurethane (PUR) Rigid Foam
 Certification: ATG/H 707
 Manufacturer: Recticel Insulation Products
 Tramstraat 6
 B-8560
 Wevelgen
 Belgium

Product ref: Eurofloor
 Dimensions: Standard – 2500 x 1200mm
 Thickness: 25, 30, 35, 40, 50, 60, 70, 75, 80, 90, 100, 110, 120, 150mm
 (Other sizes available depending on quantity and lead time)

Eurosarking - Thermal insulation boards for warm pitched roofs



The pitched roof insulation shall be Recticel Eurosarking ____mm thick manufactured to BS EN 13165 by Recticel Insulation, comprising a CFC/HCFC free rigid Polyisocyanurate (PIR) core faced on both sides with a bright, gas tight and multi-layered complex of kraft and metal foil. The Eurosarking pitched roof insulation shall be installed in accordance with manufacturer's recommendations.

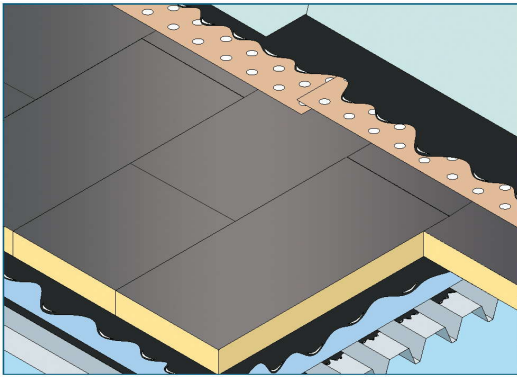
(Make reference to NBS clause F30 155, F30 12)

Insulation: Polyisocyanurate (PIR) Rigid Foam
 Certification: BBA 02/3905
 Manufacturer: Recticel Insulation Products
 Enterprise Way
 Meir Park
 Stoke on Trent
 Staffordshire ST3 7UN
 United Kingdom

Recticel Insulation Products
 Tramstraat 6
 B-8560
 Wevelgen
 Belgium

Product ref: Eurosarking
 Dimensions: Standard – 2400 x 1200mm
 Thickness: 25, 30, 35, 40, 50, 60, 70, 75, 80, 90, 100, 110, 120, 150mm
 (Other sizes available depending on quantity and lead time)

Eurothane Bi-3 - Thermal insulation boards for built-up partially bonded and bituminous systems on warm flat roofs

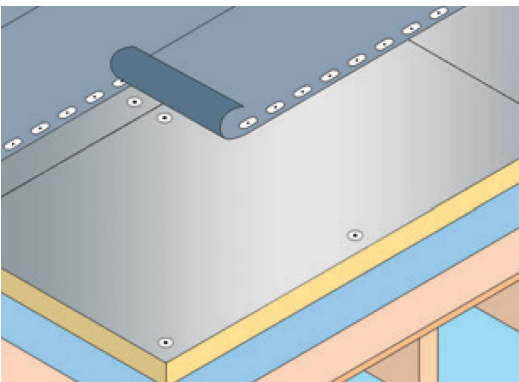


The flat roof insulation shall be Recticel Eurothane Bi-3 ____mm thick manufactured to BS EN 13165 by Recticel Insulation, comprising a CFC/HCFC free rigid Polyurethane (PUR) core faced on both sides with a bituminised glass fleece. The Eurothane Bi-3 flat roof insulation shall be installed in accordance with manufacturer's recommendations.

(Make reference to NBS clause J21 420, J21 430, J41 420, J41 430)

Insulation: Polyurethane (PUR) Rigid Foam
 Certification: BBA 95/3113, ATG 1575, ATG/H 707
 Manufacturer: Recticel Insulation Products
 Tramstraat 6
 B-8560
 Wevelgen
 Belgium
 Product ref: Eurothane Bi-3
 Dimensions: Standard – 1200 x 600mm
 Thickness: 30, 40, 50, 60, 70, 75, 80, 90, 100, 110, 120, 130, 140, 150mm
 (Other sizes available depending on quantity and lead time)

Eurothane Silver – Thermal insulation boards for single ply mechanically fixed systems on warm flat roofs

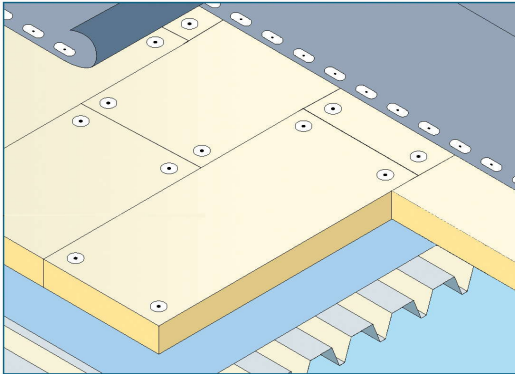


The flat roof insulation shall be Recticel Eurothane Silver ____mm thick manufactured to BS EN 13165 by Recticel Insulation, comprising a CFC/HCFC free rigid Polyisocyanurate (PIR) core faced on both sides with a bright, gas tight and multi-layered complex of kraft and metal foil. The Eurothane Silver flat roof insulation shall be installed in accordance with manufacturer's recommendations.

(Make reference to NBS clause J42 420, J42 430)

Insulation: Polyisocyanurate (PIR) Rigid Foam
 Certification: BBA 95/3113, ATG/H750, ATG 1575, ATG 2481, CTG-077
 Manufacturer: Recticel Insulation Products
 Tramstraat 6
 B-8560
 Wevelgen
 Belgium
 Product ref: Eurothane Silver
 Dimensions: Standard – 2500 x 1200mm
 Thickness: 30, 40, 50, 60, 70, 75, 80, 90, 100, 110, 120, 130, 140, 150mm
 (Other sizes available depending on quantity and lead time)

Powerdeck F – Thermal insulation boards for single ply mechanically fixed or fully adhered systems on warm flat roofs

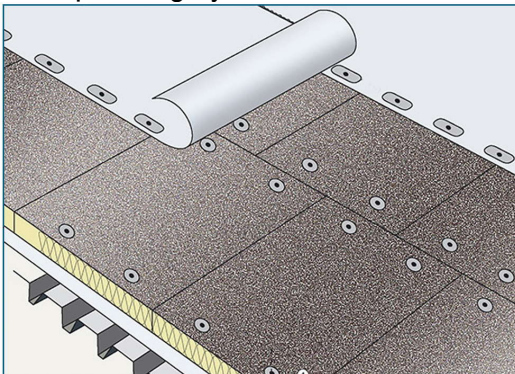


The flat roof insulation shall be Recticel Powerdeck F ____mm thick manufactured to BS EN 13165 by Recticel Insulation, comprising a CFC/HCFC free rigid Polyisocyanurate (PIR) core faced on both sides with a mineral coated and perforated glass fleece. The Powerdeck F flat roof insulation shall be installed in accordance with manufacturer's recommendations.

(Make reference to NBS clause J42 420, J42 430)

Insulation:	Polyisocyanurate (PIR) Rigid Foam	
Certification:	ATG 2262, ATG/H 750, CTG 258	
Manufacturer:	Recticel Insulation Products	Recticel Insulation Products
	Enterprise Way	Tramstraat 6
	Meir Park	B-8560
	Stoke on Trent	Wevelgen
	Staffordshire ST3 7UN	Belgium
	United Kingdom	
Product ref:	Powerdeck F	
Dimensions:	Standard – 1200 x 600mm	
Thickness:	30, 40, 50, 60, 70, 75, 80, 90, 100, 110, 120, 130, 140, 150mm	
	(Other sizes available depending on quantity and lead time)	

Powerdeck B – Thermal insulation boards for use under torch-on, partially bonded bituminous felt waterproofing systems on warm flat roofs



The flat roof insulation shall be Recticel Powerdeck B ____mm thick manufactured to BS EN 13165 by Recticel Insulation, comprising a CFC/HCFC free rigid Polyisocyanurate (PIR) core. The insulation board is faced with a mineral coated glass fleece on the reverse side and a bituminous glass fleece with a polypropylene film on the top surface. The Powerdeck B flat roof insulation shall be installed in accordance with manufacturer's recommendations.

(Make reference to NBS clause J42 420, J42 430)

Insulation:	Polyisocyanurate (PIR) Rigid Foam	
Certification:	ATG 2262, ATG/H 750, CTG 258	
Manufacturer:	Recticel Insulation Products	Recticel Insulation Products
	Enterprise Way	Tramstraat 6
	Meir Park	B-8560
	Stoke on Trent	Wevelgen
	Staffordshire ST3 7UN	Belgium
	United Kingdom	
Product ref:	Powerdeck B	
Dimensions:	Standard – 1200 x 600mm	
Thickness:	30, 40, 50, 60, 70, 75, 80, 100mm	
	(Other sizes available depending on quantity and lead time)	